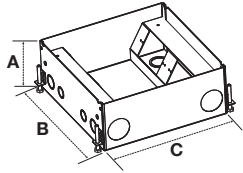
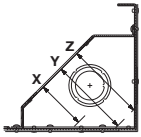
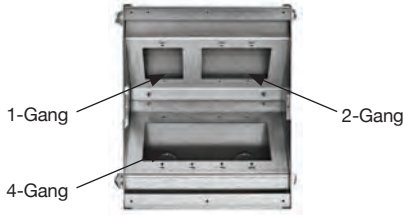



**Dimensions Inches (mm)**

Style	CFB7G Series		CFB11G Series	
	7-Gang		11-Gang	
	<b>CFB7G4</b>	<b>CFB7G6</b>	<b>CFB11G4</b>	<b>CFB11G6</b>
Min. Depth of Pour	4.08" (103.5)	6.08" (154.3)	4.08" (103.5)	6.08" (154.3)
Adjustability	Before Pour	Before Pour	Before Pour	Before Pour
Dimensions:				
A	4.08" (103.5)	6.08" (154.3)	4.08" (103.5)	6.08" (154.3)
B	10.0" (254.0)	10.0" (254.0)	13.5" (342.9)	13.5" (342.9)
C	12.2" (309.9)	12.2" (309.9)	12.2" (309.9)	12.2" (309.9)
Trade Size Knockouts:				
Sidewalls	(4) x 1", 1¼" Concentric	(4) x 1", 1¼", 1½" Concentric	(4) x 1", 1¼" Concentric	(4) x 1", 1¼", 1½" Concentric
Back	(3) x 1", 1¼", 1½" Concentric; (1) x 2"	(3) x 1", 1¼", 1½" Concentric; (1) 2"	(2) ¾", 1" Concentric; (4) 1", 1¼", 1½" Concentric, (1) 2"	(2) ¾", 1" Concentric; (4) 1", 1¼", 1½" Concentric, (1) 2"
Bottom	(4) x 1", 1¼", 1½" Concentric	(4) x 1", 1¼", 1½" Concentric	(5) 1", 1¼", 1½" Concentric; (2) ¾", 1" Concentric	(5) 1", 1¼", 1½" Concentric; (2) ¾", 1" Concentric
Side View Depth behind mounting plate		X - 2.37" Y - 3.77" Z - 3.65"	X - 1.02" Y - 2.42" Z - 3.50"	X - 2.37" Y - 3.81" Z - 3.72"
Accepts industry standard size wallplates (sold separately)	(1) 1-Gang (1) 2-Gang (1) 4-Gang	(1) 1-Gang (1) 2-Gang (1) 4-Gang	(2) 1-Gang (1) 3-Gang (1) 6-Gang	(2) 1-Gang (1) 3-Gang (1) 6-Gang
Interior Configuration				

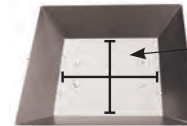
Note: UL File Number E31999.  
CSA File Number LR18416.

**Accessories**

**On-grade Barrier**




The on-grade barrier is intended for use on installations at grade level. This accessory is installed prior to the concrete pour and provides a barrier between the soil. The on-grade barrier comes with leveling feet and anchor points.

**CFBOGPAN4**



Pour Pan Dimensions:  
15.75 in. sq.  
4 in. depth

**Floor Box Covers**

	CFB7G Series		CFB11G Series	
				
	Brass	Aluminum	Brass	Aluminum
Flange and cover; Beveled edge for carpet	¼" Edging		¼" Edging	
	<b>CFB7CVRBRS</b>	<b>CFB7CVRALU</b>	<b>CFB11CVRBRS</b>	<b>CFB11CVRALU</b>
Flange and cover; Square edge for tile	½" Edging		¼" Edging	
	<b>CFB7TBRS</b>	<b>CFB7TALU</b>	<b>CFB11TBRS</b>	<b>CFB11TALU</b>

Note: Covers provide a recessed area, allowing floor covering to be inserted.

Dimensions in Inches (mm)